

# *Life Fitness*

**LIFE CYCLE LC9100**



**Customer Support Services**  
***PARTS MANUAL*** Rev. 16 Nov 2007

<b>Manual</b>	<b>Part Number</b>
Service Manual	M051-00K49-A012
Operator Manual	M051-00K20-B106
Installation Instructions	M051-00K49-A006
Installation Hardware	AK49-00025-0000

**Contents**

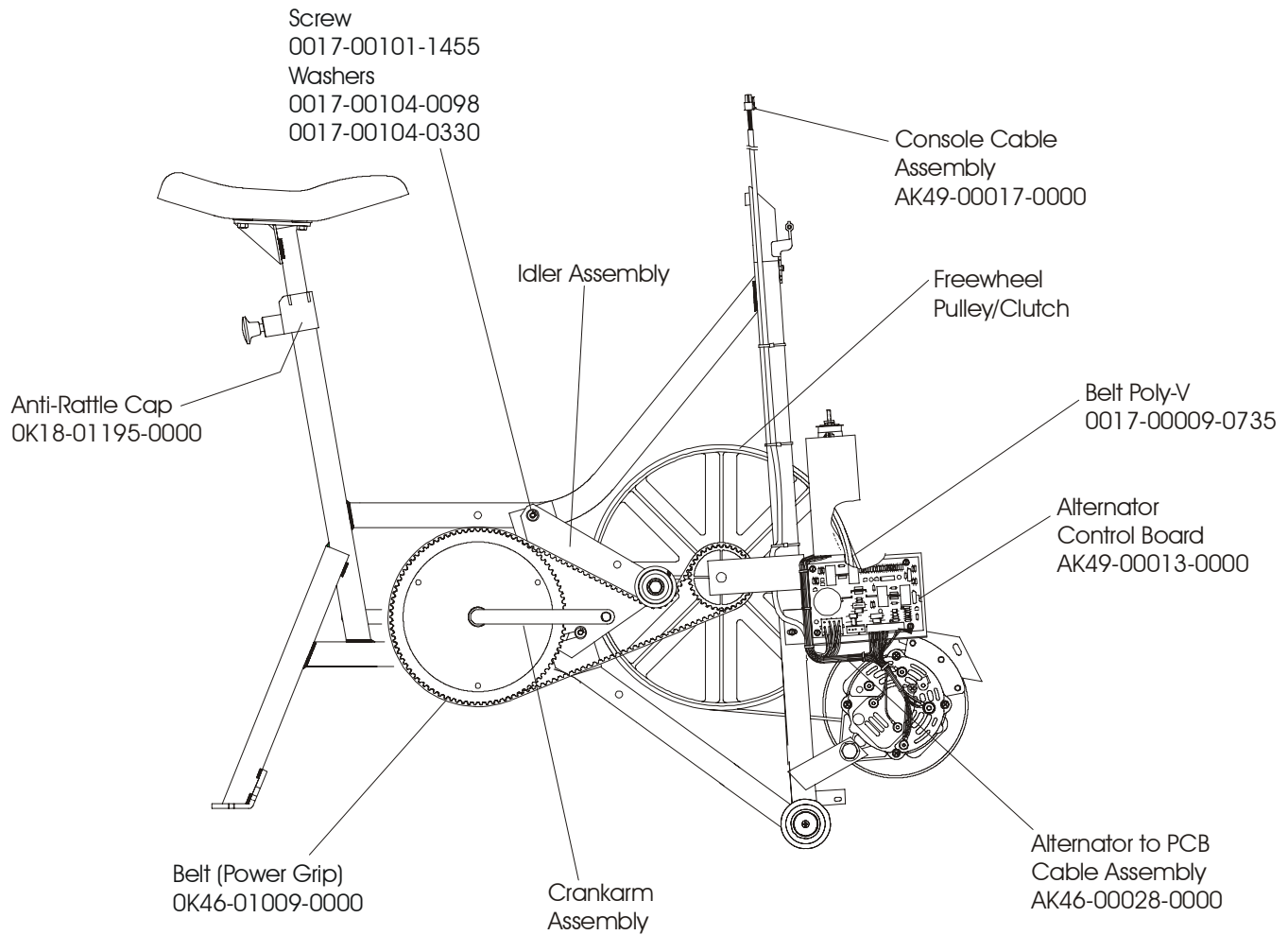
---

	Page
Frame Components .....	4
Side Shrouds, Seat Post Covers, Pedals .....	5
Alternator, Wheels, and Stabilizer Bar .....	6
Console Assembly .....	7
Handlebar Assembly.....	8
Crankarm Assembly .....	9
Freewheel Pulley/Clutch Assembly.....	10
Idler Arm Assembly.....	11
Seat w/Seat Post Assembly.....	12
Seat Plunger Assembly .....	13
Alternator Control Board.....	14

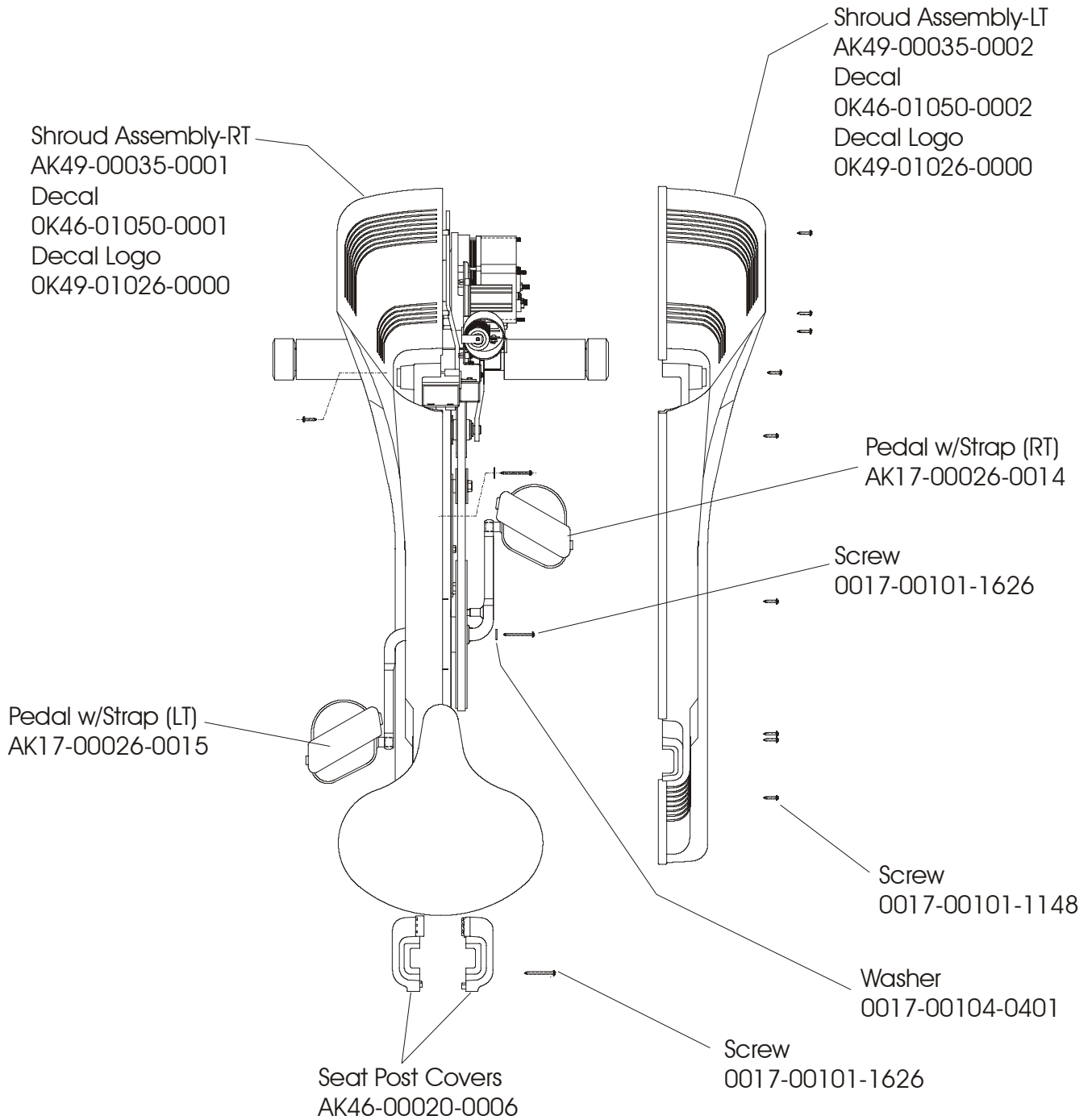
# Life Cycle LC9100

## Frame Components

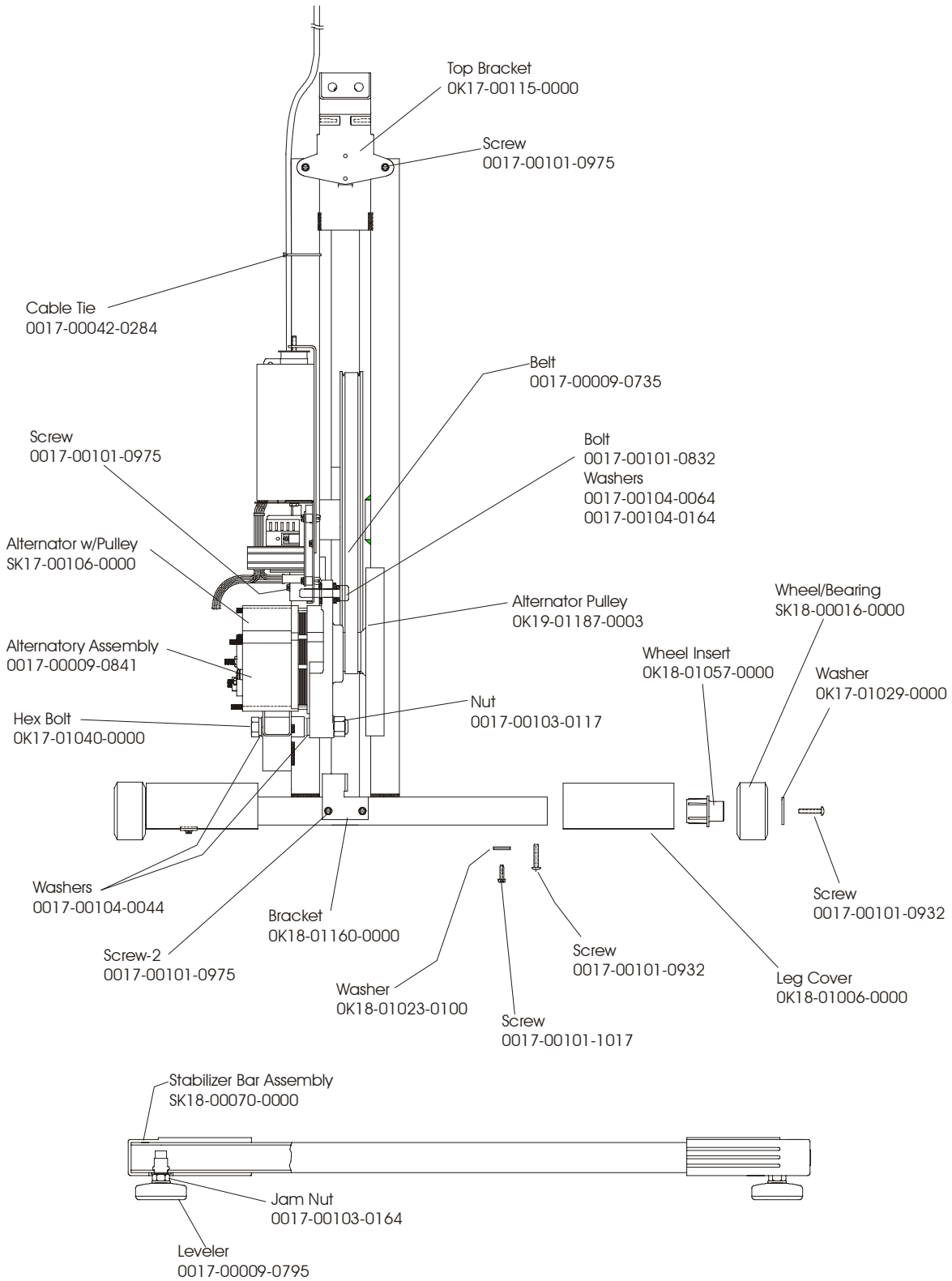
LC91-0100-10



Side Shrouds, Seat Post Covers, and Pedals



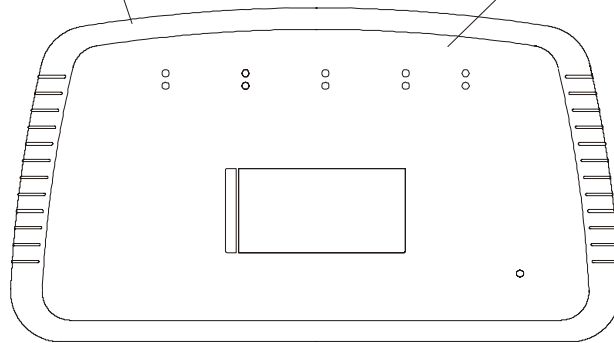
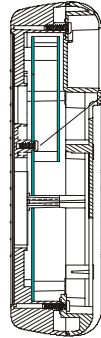
Alternator, Wheels, and Stabilizer Bar



Console Assembly  
 SK51-00026-0001 Eng/Met  
 AK51-00026-0003 Ger/Eur  
 AK51-00026-0004 Spn/Eur  
 AK51-00026-0006 Eng  
 AK51-00026-0007 Frn/Eur  
 AK51-00026-0008 Itl/Eur  
 AK51-00026-0009 Dut/Eur

Screw  
 0017-0010-1250

Overlay Bezel  
 AK49-00040-0001 Eng/Met  
 AK49-00040-0003 Ger/Eur  
 AK49-00040-0004 Spn/Eur  
 AK49-00040-0006 Eng  
 AK49-00040-0007 Frn/Eur  
 AK49-00040-0008 Itl/Eur  
 AK49-00040-0009 Dut/Eur

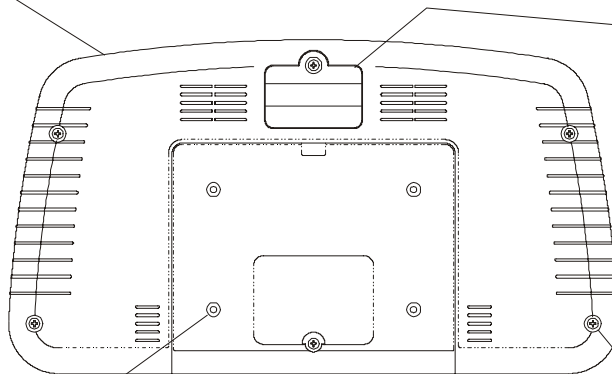


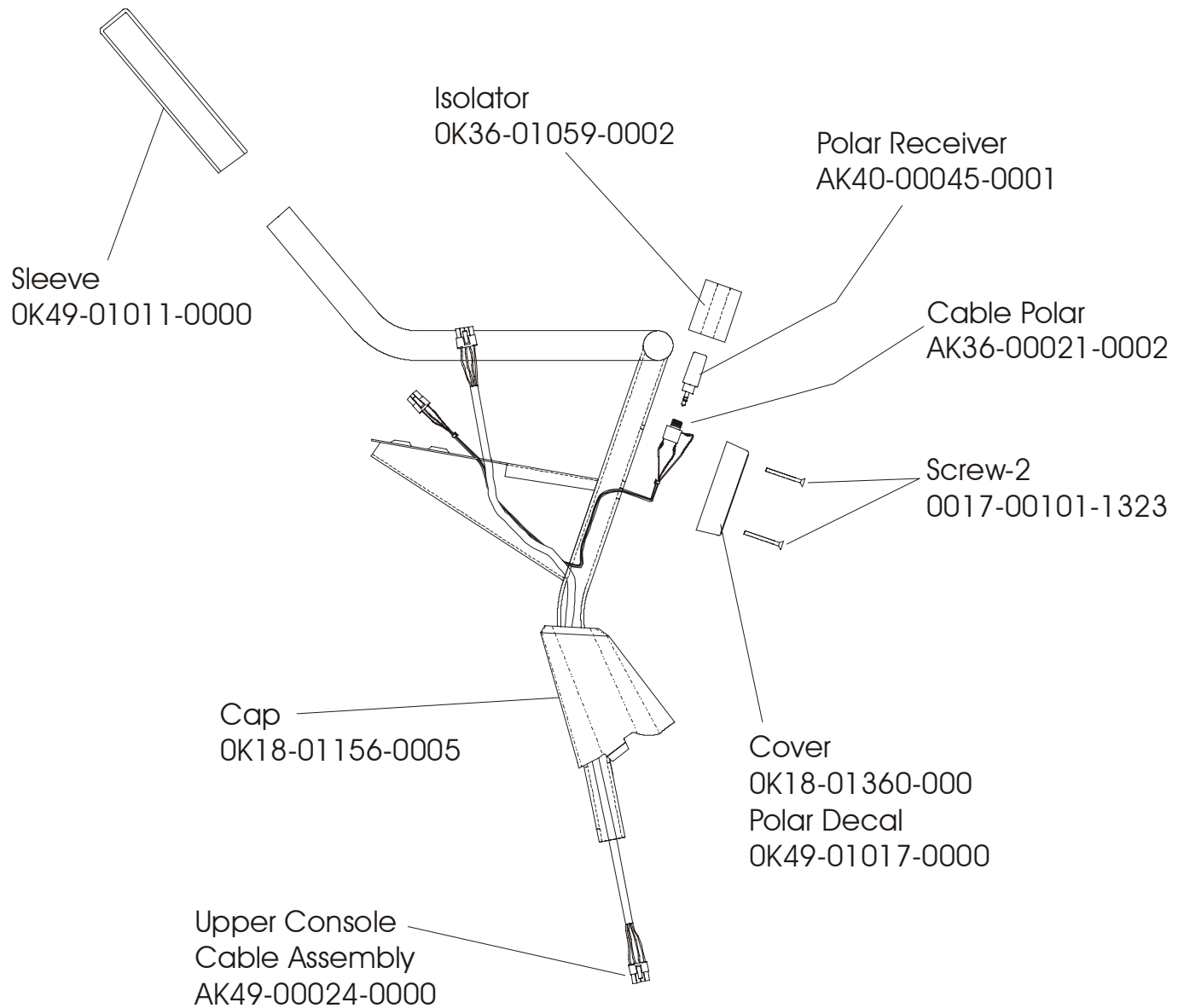
Console Case (Grey)  
 OK36-01187-0006

Battery Cover  
 OK36-01035-0006

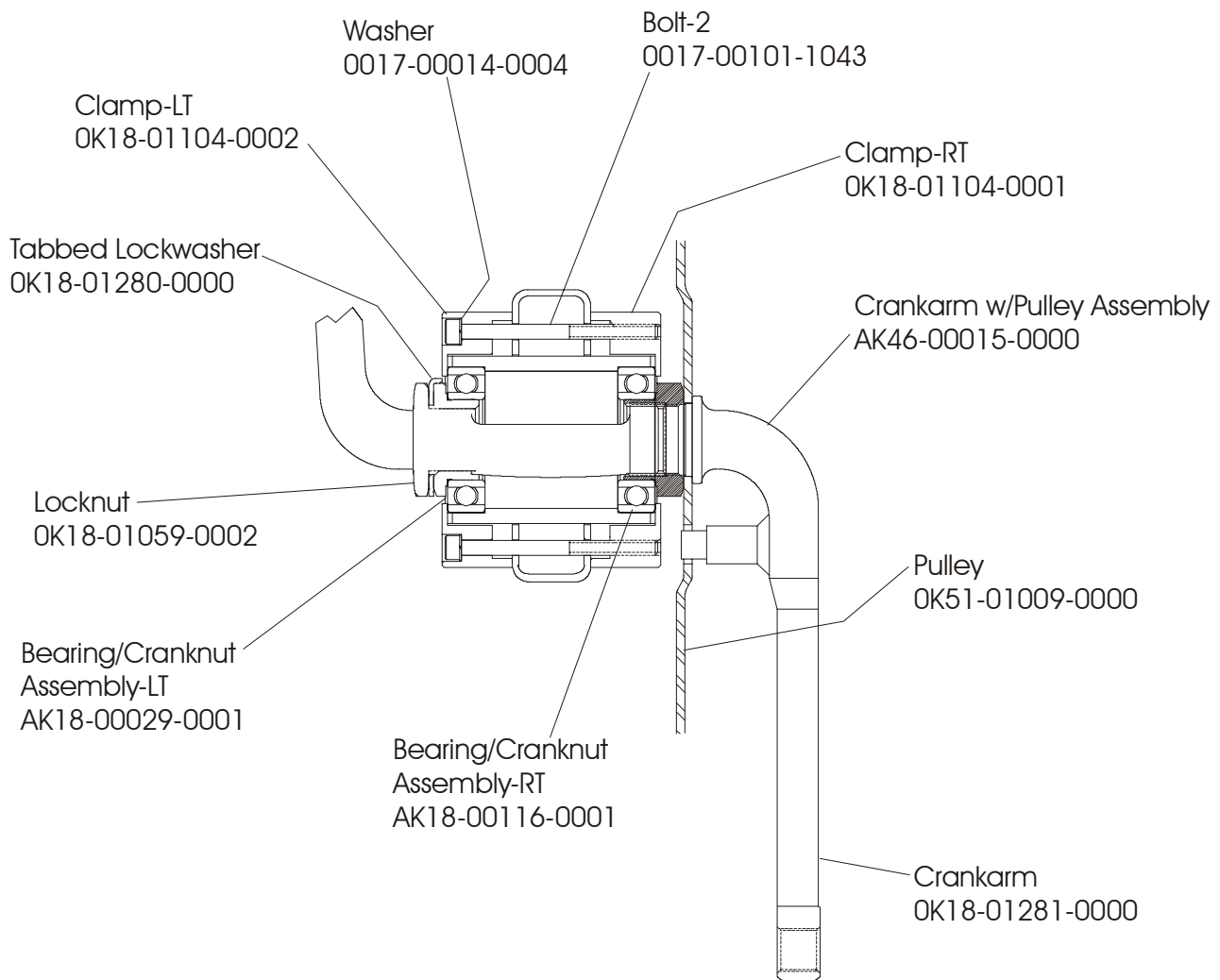
Screw  
 0017-00101-1104

SCREW-6  
 0017-00101-0824





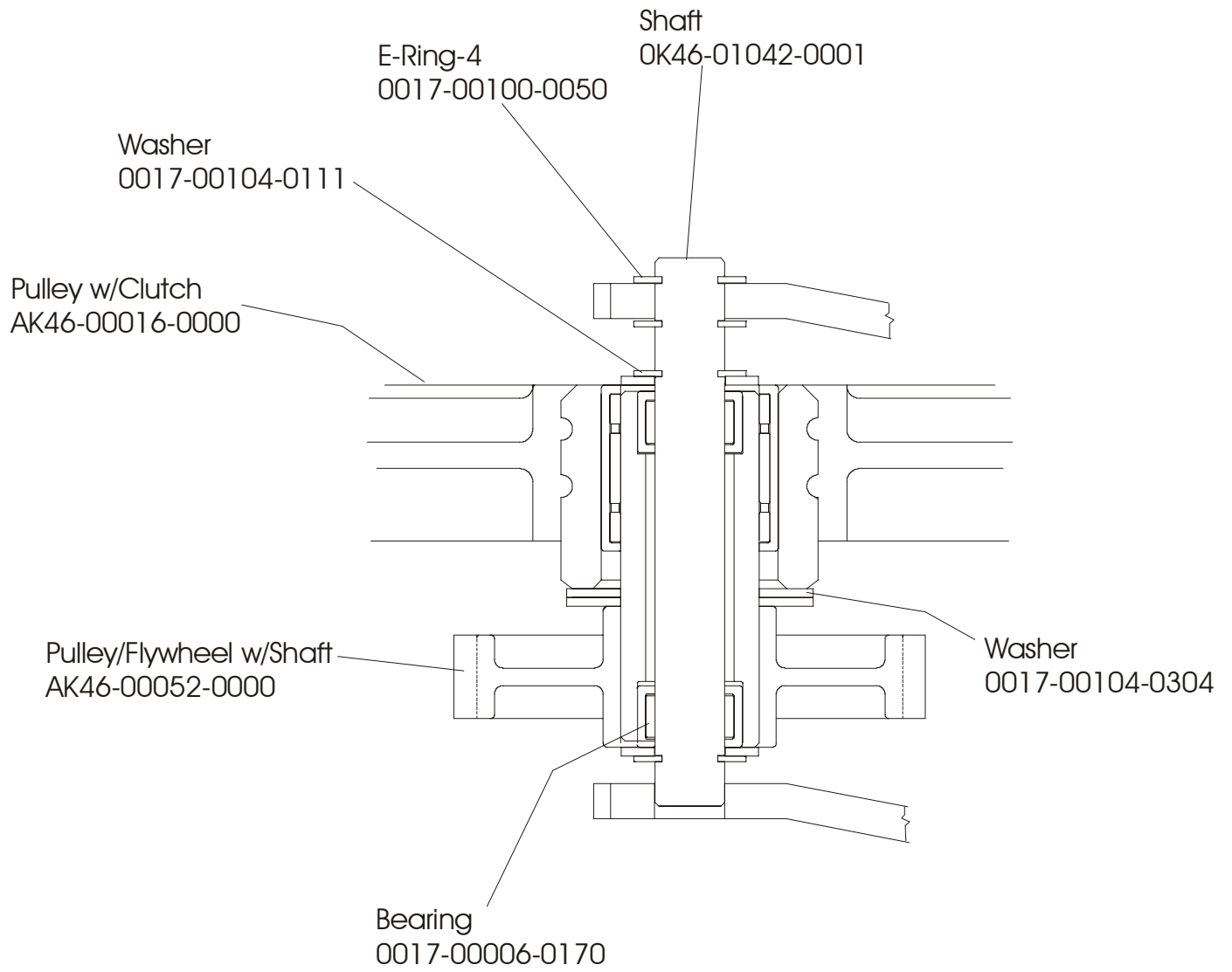


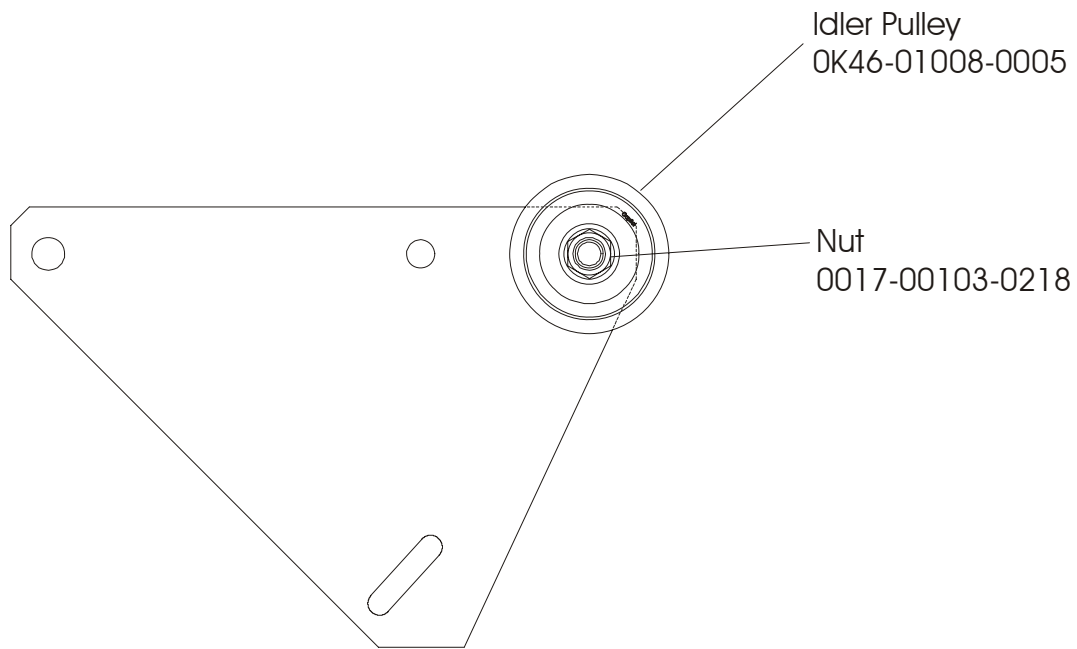


**NOTE: For complete Crankarm Bearing Kit order: GK18-00004-0023**

**Life Cycle LC9100**  
**Freewheel Pulley/Clutch Assembly**

**LC91-0100-10**





**Life Cycle LC9100**  
**Seat w/Seat Post Assembly**

**LC91-0100-10**  
**AK49-00037-0000**

